



US00D652529S

(12) **United States Design Patent**
Eum

(10) **Patent No.:** **US D652,529 S**

(45) **Date of Patent:** **** Jan. 17, 2012**

(54) **HANDHELD STERILIZATION DEVICE**

(75) Inventor: **Se Hyung Eum**, Seoul (KR)

(73) Assignee: **Dyne Electronics Inc.**, Northvale, NJ (US)

(**) Term: **14 Years**

(21) Appl. No.: **29/366,710**

(22) Filed: **Jul. 29, 2010**

(51) **LOC (9) Cl.** **24-01**

(52) **U.S. Cl.** **D24/217**

(58) **Field of Classification Search** D24/216-232, D24/186, 107, 108, 121; D3/201, 203.1, D3/203.2, 202; D10/81; D9/503, 504, 529, D9/545, 549; 422/500, 547, 554, 556, 1, 422/20-22, 24, 26, 28, 29, 39, 40, 300, 301; 250/455.11; D32/1; D28/73

See application file for complete search history.

(56) **References Cited**

U.S. PATENT DOCUMENTS

D271,902 S *	12/1983	Campton	D24/217
4,517,159 A	5/1985	Karlson		
5,529,635 A	6/1996	Odell		
5,927,304 A	7/1999	Wen		
D485,364 S *	1/2004	Lee	D24/217
6,733,727 B1	5/2004	Kullberg		
D502,266 S *	2/2005	Shin	D24/217

7,089,763 B2	8/2006	Forsberg		
7,401,469 B2	7/2008	Joshi		
D588,797 S *	3/2009	Tanghoej et al.	D3/203.1
7,646,000 B2 *	1/2010	Shih	250/455.11
D614,396 S *	4/2010	Tanghoej et al.	D3/203.1

* cited by examiner

Primary Examiner — Anhdao Doan

(74) *Attorney, Agent, or Firm* — Michael J. Felgin, Esq.

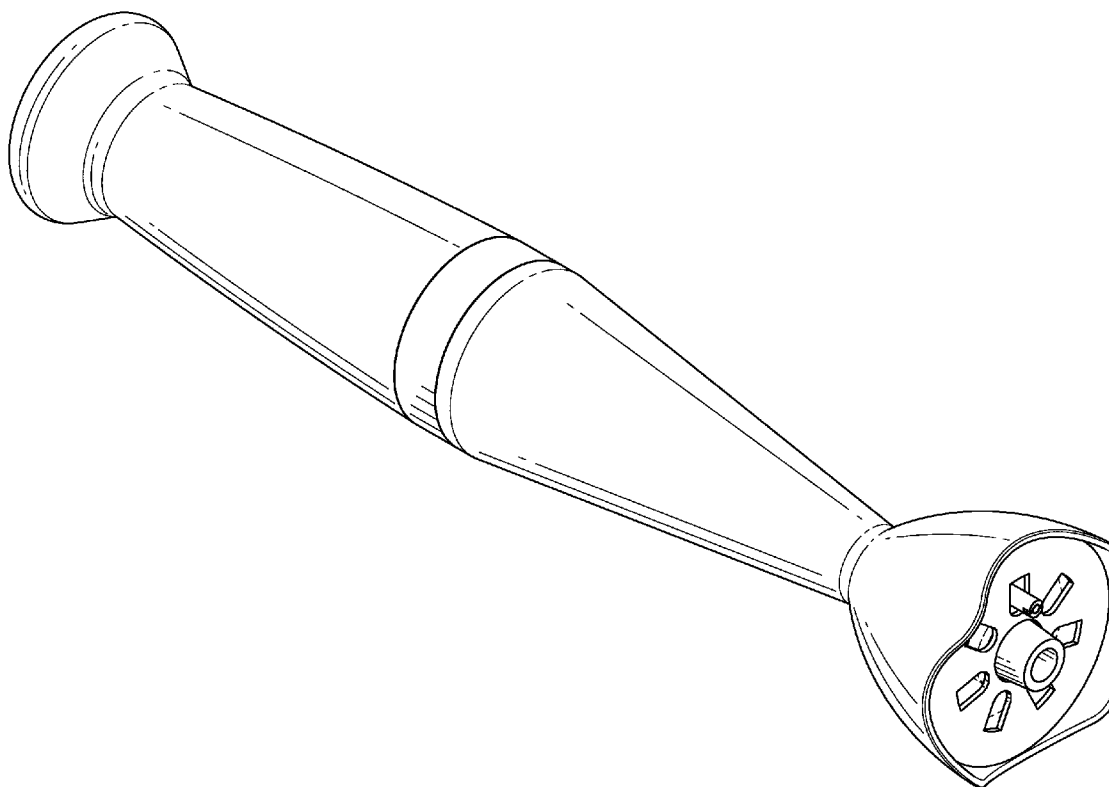
(57) **CLAIM**

The ornamental design for a handheld sterilization device, as shown and described.

DESCRIPTION

FIG. 1 is a bottom perspective view of the device.
 FIG. 2 is a top perspective view of the device.
 FIG. 3 is a side elevation view of the device.
 FIG. 4 is an opposite side elevation view of the device to that of FIG. 3.
 FIG. 5 is a side elevation view offset 90 degrees from that of FIGS. 3 and 4.
 FIG. 6 is an opposite side elevation view of the device to that of FIG. 5.
 FIG. 7 is an enlarged top view of the device; and,
 FIG. 8 is an enlarged bottom view of the device.
 The broken lines in the drawing views are included for the purpose of illustrating portions of the handheld sterilization device that form no part of the claimed design.

1 Claim, 7 Drawing Sheets



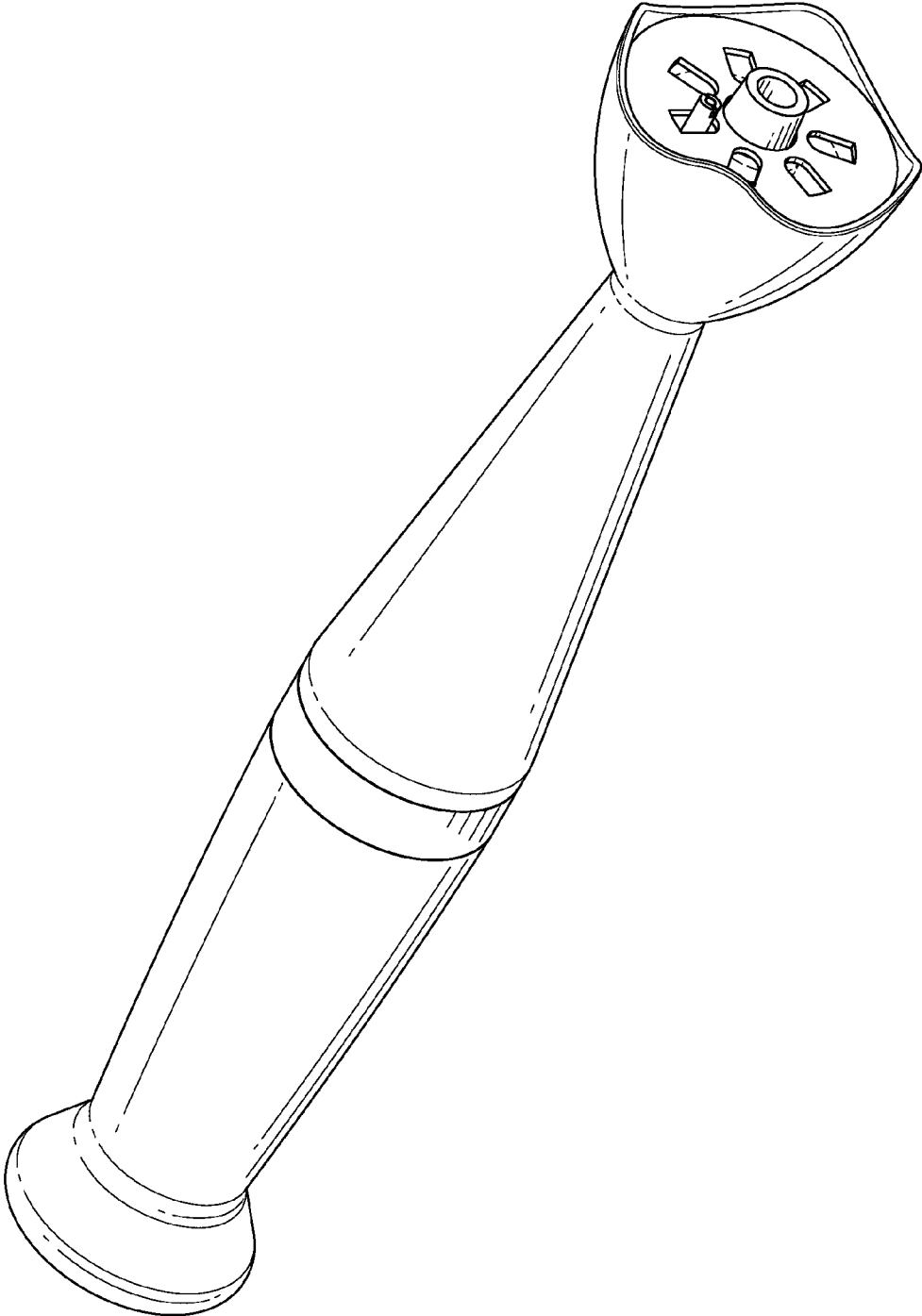


FIG. 1

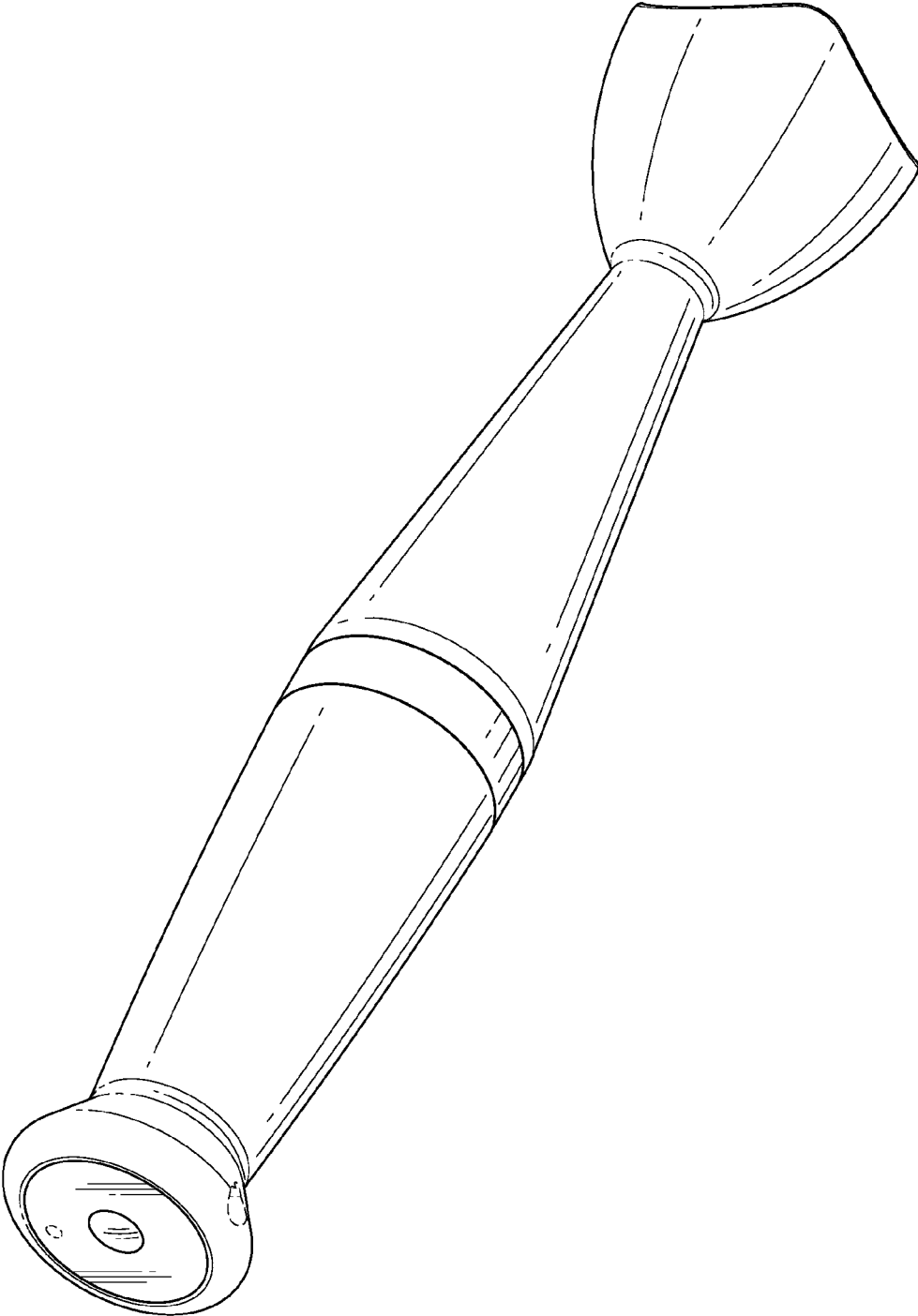


FIG. 2

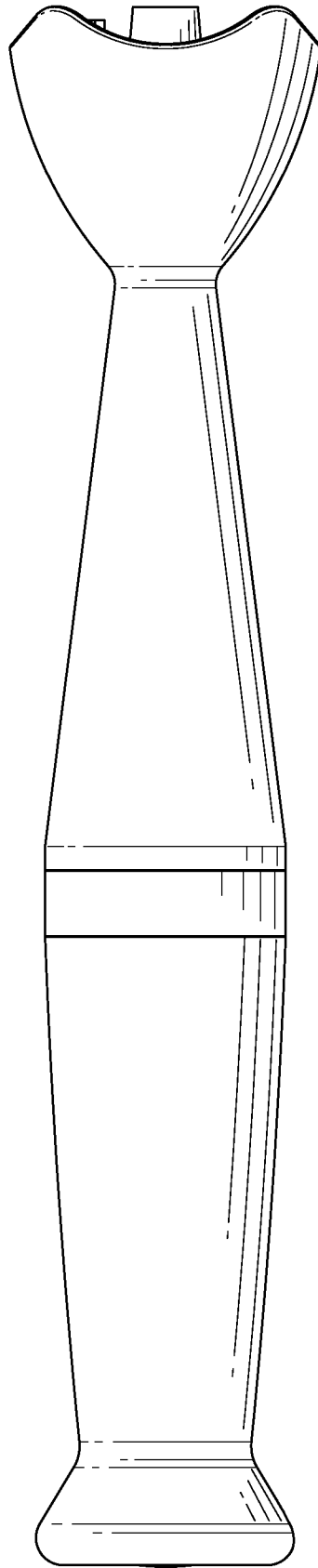


FIG. 3

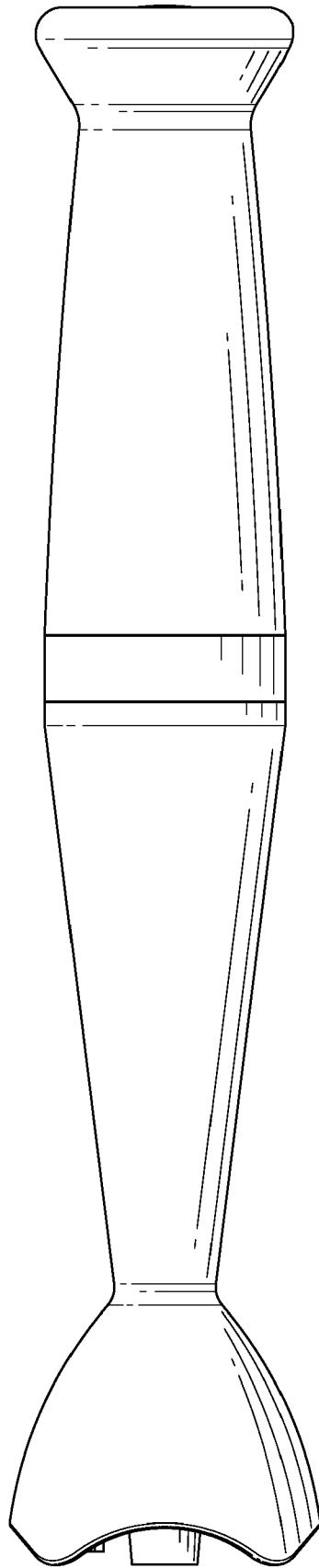


FIG. 4

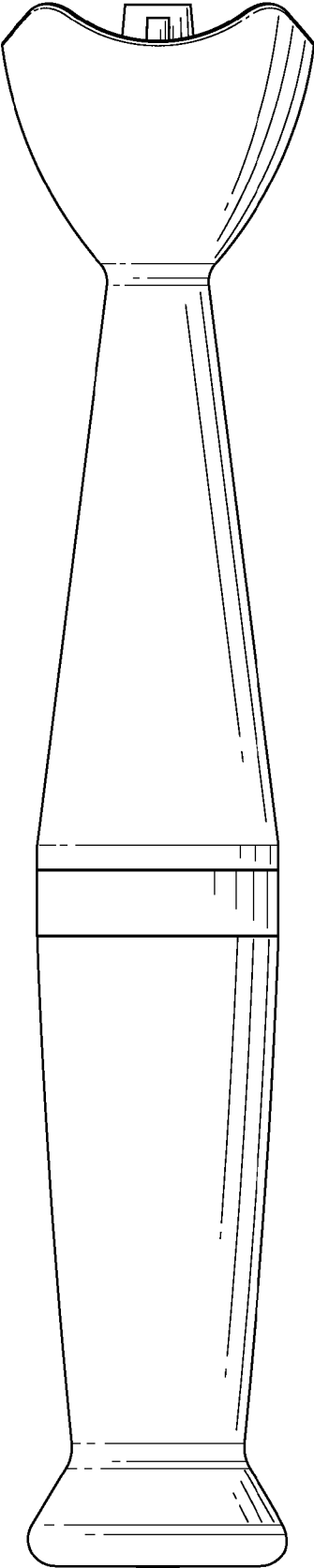


FIG. 5

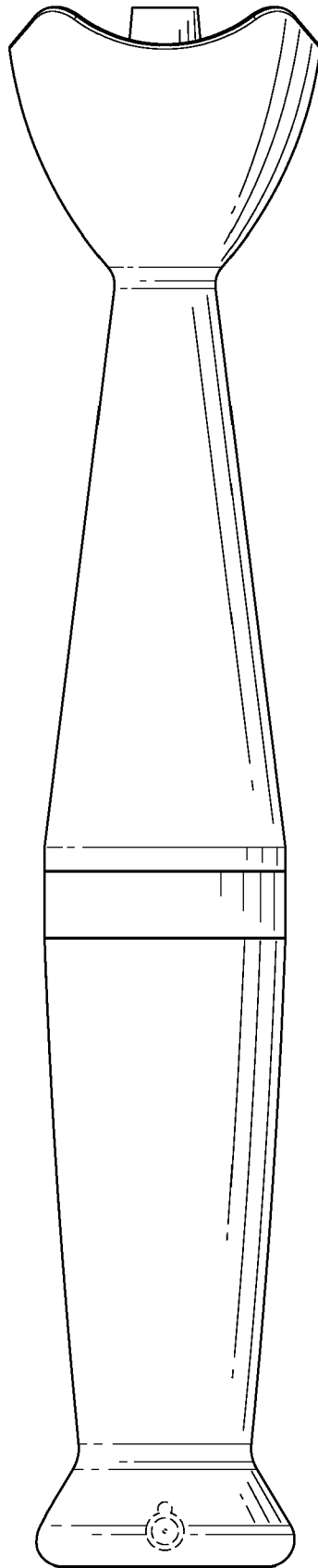


FIG. 6

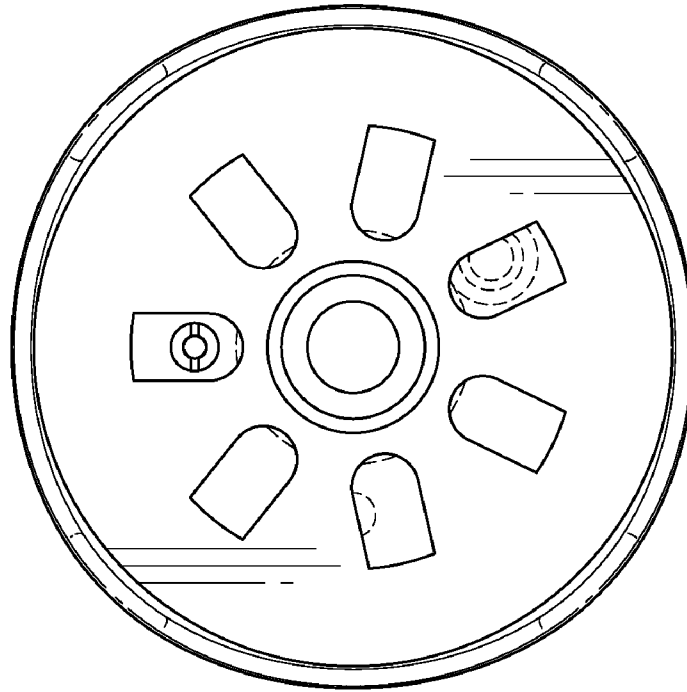


FIG. 8

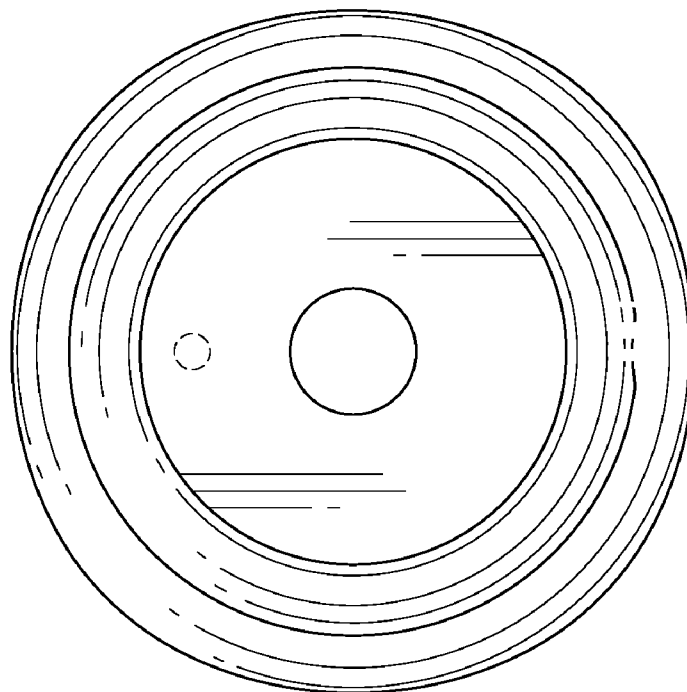


FIG. 7